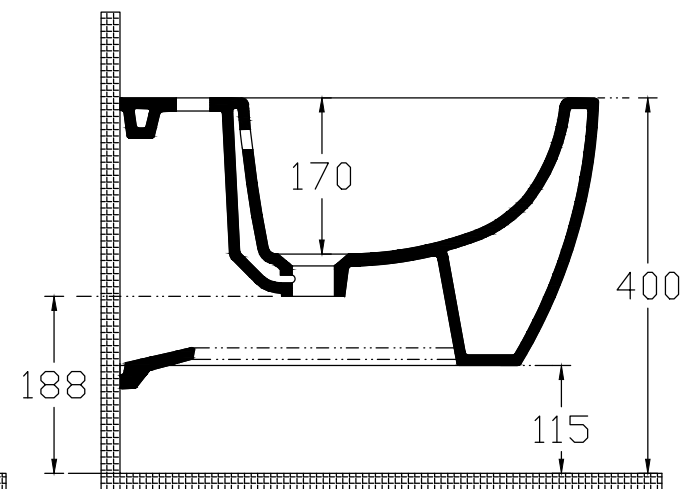
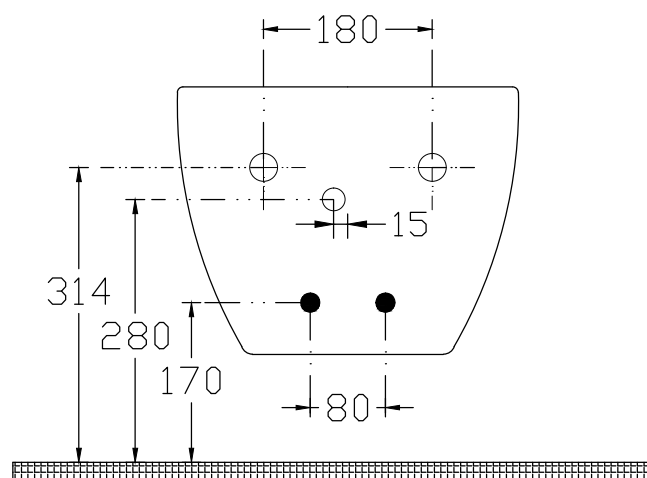
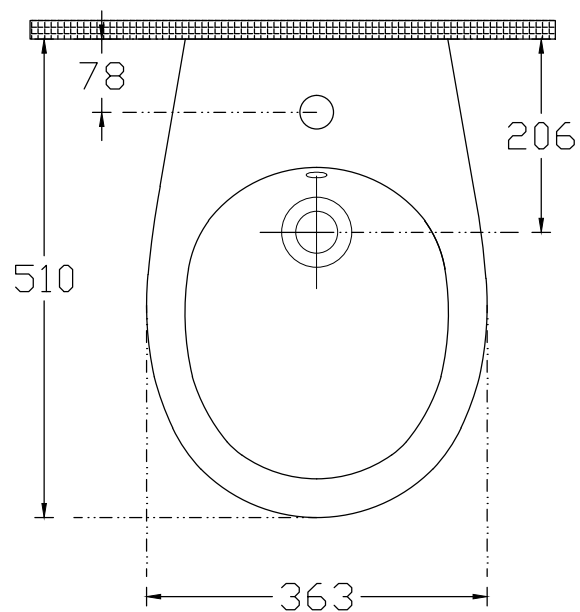




ISVEA

1962 ITALIA

TECHNICAL DRAWING / TEKNİK ÇİZİM



CODE / KOD : 10AR41006

DESCRIPTION / AÇIKLAMA : SENTIMENTI WALL HUNG BIDET / SENTIMENTI ASMA BİDE

TOLERANCE / TOLERANS : 100 mm ± 1 %